

# Brightwell 900 9kW Double Sided Ecodesign



The Brightwell 900 Double Sided stove offers 9kW of nominal heat energy and 79% efficiency and is the perfect choice when there is fireplace dividing two rooms for each side to enjoy.

Watch the dancing flames, load the wood fuel from either side and control the stove from each side with the easy to use push-pull air control sliders.

Made from heavy duty steel and fitted with cast iron doors that give an impressive view of the fire makes for a wonderful addition to any fireplace.

It is available as a free standing model or can be elevated with 200mm or 300mm logstore.

## Tech Spec

Nominal heat: 9kW

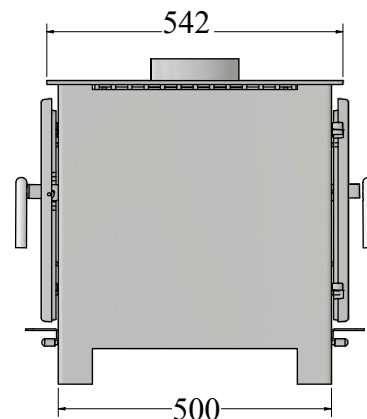
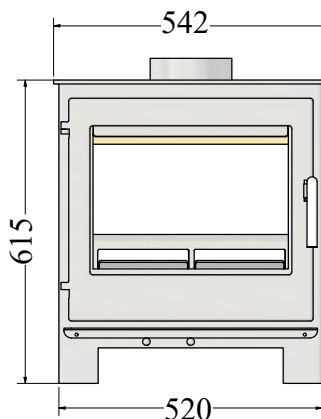
Range: 5 - 15kW

Efficiency: 79%

CO emissions @ 13% O<sub>2</sub>: 0.09%

Particulates @ 13% O<sub>2</sub>: 24 mg/Nm<sup>3</sup>

Weight: 155kg



External fresh air adaptor can be fitted



T: 01473 736399

W: [pevexstoves.co.uk](http://pevexstoves.co.uk)

E: [sales@pevexenterprises.co.uk](mailto:sales@pevexenterprises.co.uk)