

Contents



03 Passiv



07 EX

18 Installation & Warranty

23 Technical specifications

Harness the power of wood



Easy to use



Renewable heat

The world urgently needs people prepared to turn their back on fossil fuels and heat their houses with a renewable, largely carbon-neutral fuel such as wood. Today's Ecodesign ready stoves burn wood more cleanly and efficiently than has ever been possible before, making the most of your fuel and minimising your impact on the environment.

With their focus firmly on domestic woodburning boiler stoves, Woodfire have led the way in developing new combustion technology to make their boiler stoves burn even more cleanly and efficiently and they have become the only comprehensive range of Ecodesign boiler stoves available in the UK.

Woodfire stoves are made without compromise on build quality and robustness. Suitable for pressurised systems, they include a range of safety features that ensure years of continuous trouble free use. The Woodfire controller enables the stove to work at its peak performance every time it is used.

While the technology behind every Woodfire may have taken years to develop, the day-to-day use of the stove has retained the benefit of simplicity. The hallmark of a Woodfire stove is that it is easy to light, straightforward to control, and simple to maintain.



All Woodfire stoves meet the requirements of Ecodesign legislation which requires stoves to be clean burning by placing limits on efficiency, particulate, NOX and OGC emissions.



Passiv

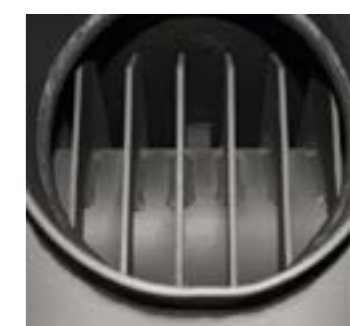
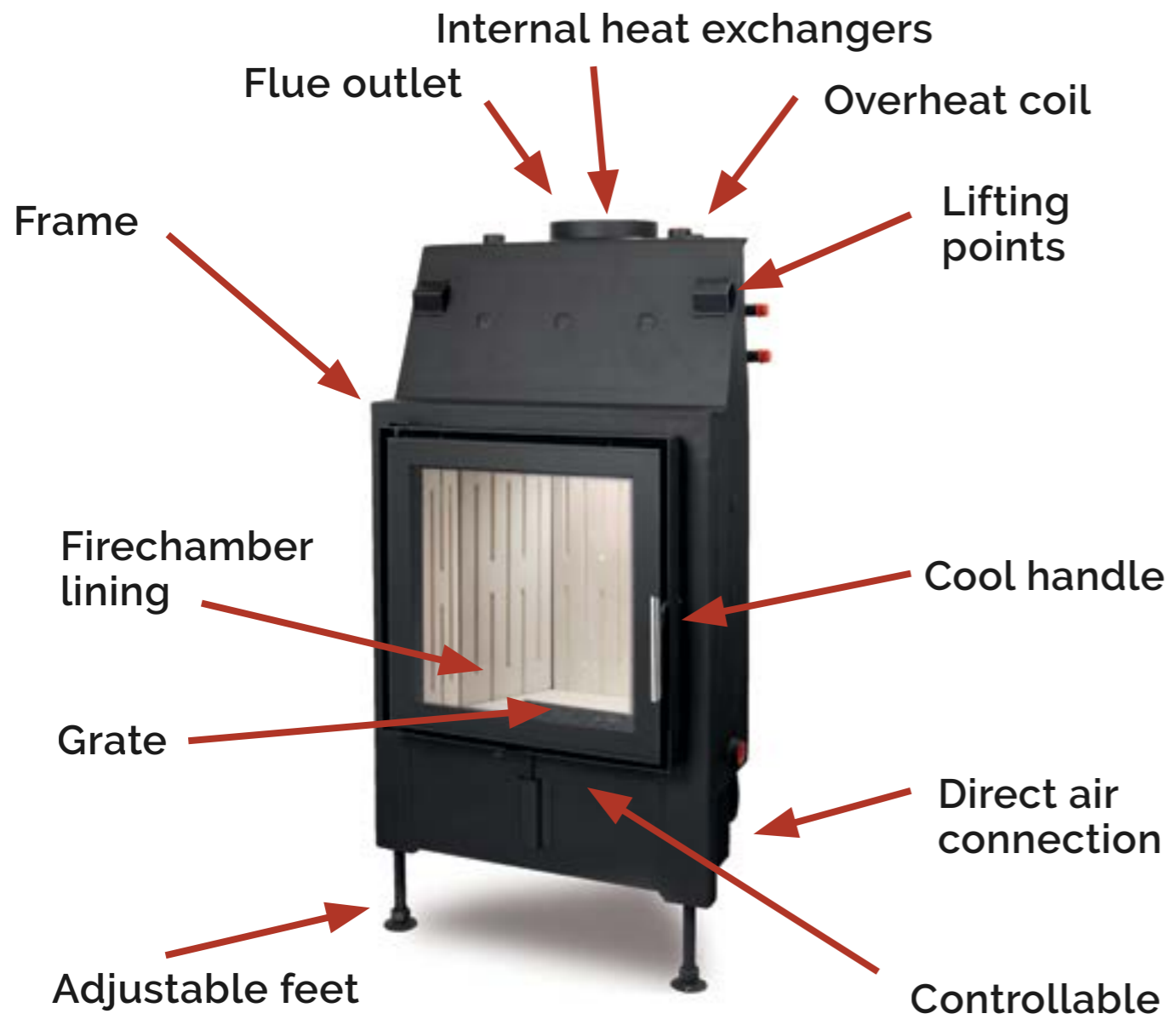
The Woodfire Passiv is a boiler stove designed for the modern well insulated home. The Passiv takes the technological advances of European-style inset boilers and applies them to a freestanding stove.

A heat safety coil comes as standard, as does the dedicated external air supply. The Passiv can be used with airSmart automated controllers and may be connected to both pressurised and open vented systems.

EX

**In-The-Wall boiler
stoves**

EX Range: Features



*EX 22*

EX 10, 15, 22

The Woodfire EX 10, 15 and 22 give generous amounts of heat to the central heating and domestic hot water, while giving a small amount of heat to the room. This makes them suitable for modern well-insulated homes and for existing houses you just need a radiator in the same room as the stove. Available in three models, with a choice of 8.5 kW, 12.5 kW or 18.5 kW to water with as little as 1.5 kW to the room, and an efficiency of up to 84 %.

The simple elegant design, combining a fully glazed door with a cool-to-the-touch stainless steel handle, allows it blend well in any surroundings.



EX 10



EX 17 Panorama

EX 12 & 17 Panorama

The two Panorama models have the same high efficiency and clean lines as the standard EX models but with a larger landscape window and a bigger fire chamber. This is the perfect stove for those of us who like a room full of firelight and who enjoy to lying back to watch the rolling flames, knowing that the rest of the house is also being heated.



EX 12 Panorama



FP1 Fireplace



FP2 Fireplace

Limestone Fireplace Surrounds

A choice of two limestone fireplace surrounds are available for both of the EX Panorama models, perfect for when you want that classic traditional look.



EX 12 Panorama double sided

EX 12 & 17 Panorama Double sided

The EX12 Panorama and EX17 Panorama Double Sided models are a truly unique way to both run your central heating and give yourselves the very best view of the crackling flames. These models can either be built into a dividing wall, filling both rooms with their warmth and cosiness, or can take centre stage in a large room or open plan design.

With up to 3 - 4 kW directly warming each room, and a further 6 - 9 kW going to the central heating, this is a wonderful way to bring a real fire into your home while ensuring lots of hot water and a warm house.



EX 17 Panorama double sided

With double sided insets the stove provides the window of fire which you are then free to design as you like. You might decide to give one side a traditional look and feel with a stone fire surround; you might go for a minimal look with the stove in a plain flat wall.

A projecting hearth can form a cosy seating area, and log storage boxes, lighting and shelving can all be incorporated.



EX 17 Panorama double sided

Double sided stoves are a great way to make to break up a large room into discrete areas, whilst still maintaining the sense of the larger room. Here an EX Panorama double sided stove has been installed into a central column which creates a cosy living room, with the kitchen and dining area on the other side. This means that separate activities can be carried out on each side, whilst still maintaining an overall sense of connection.

Installation & Warranty

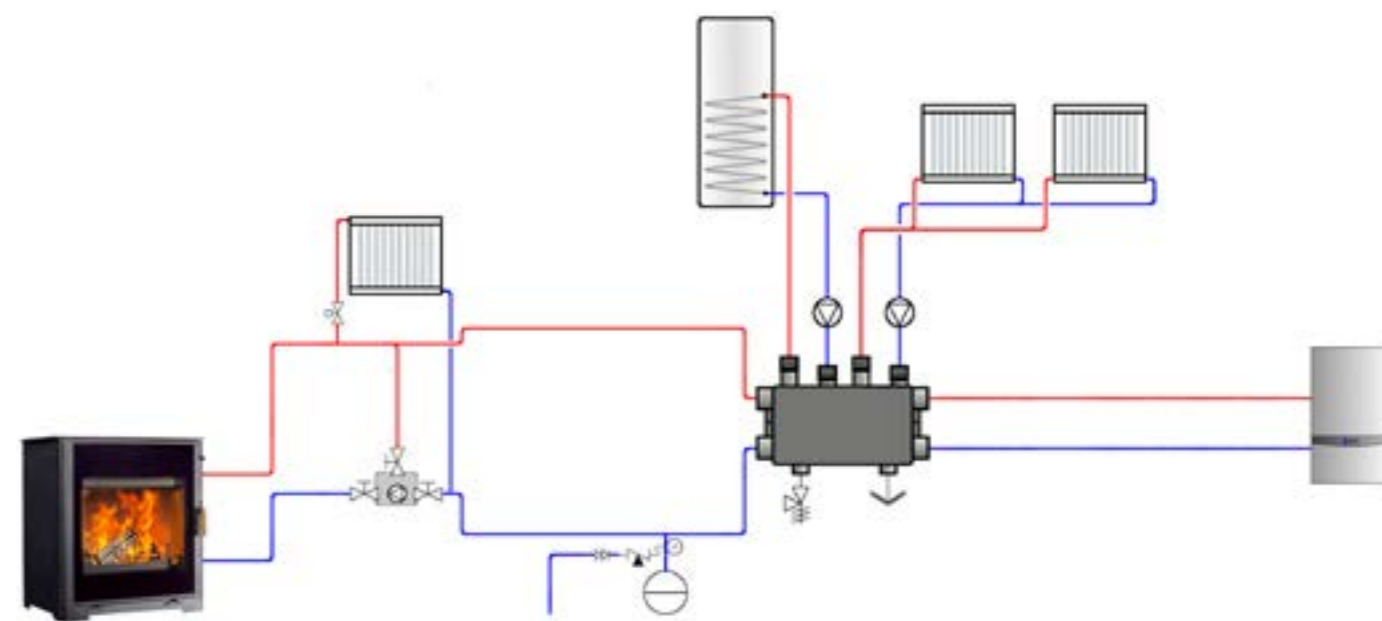
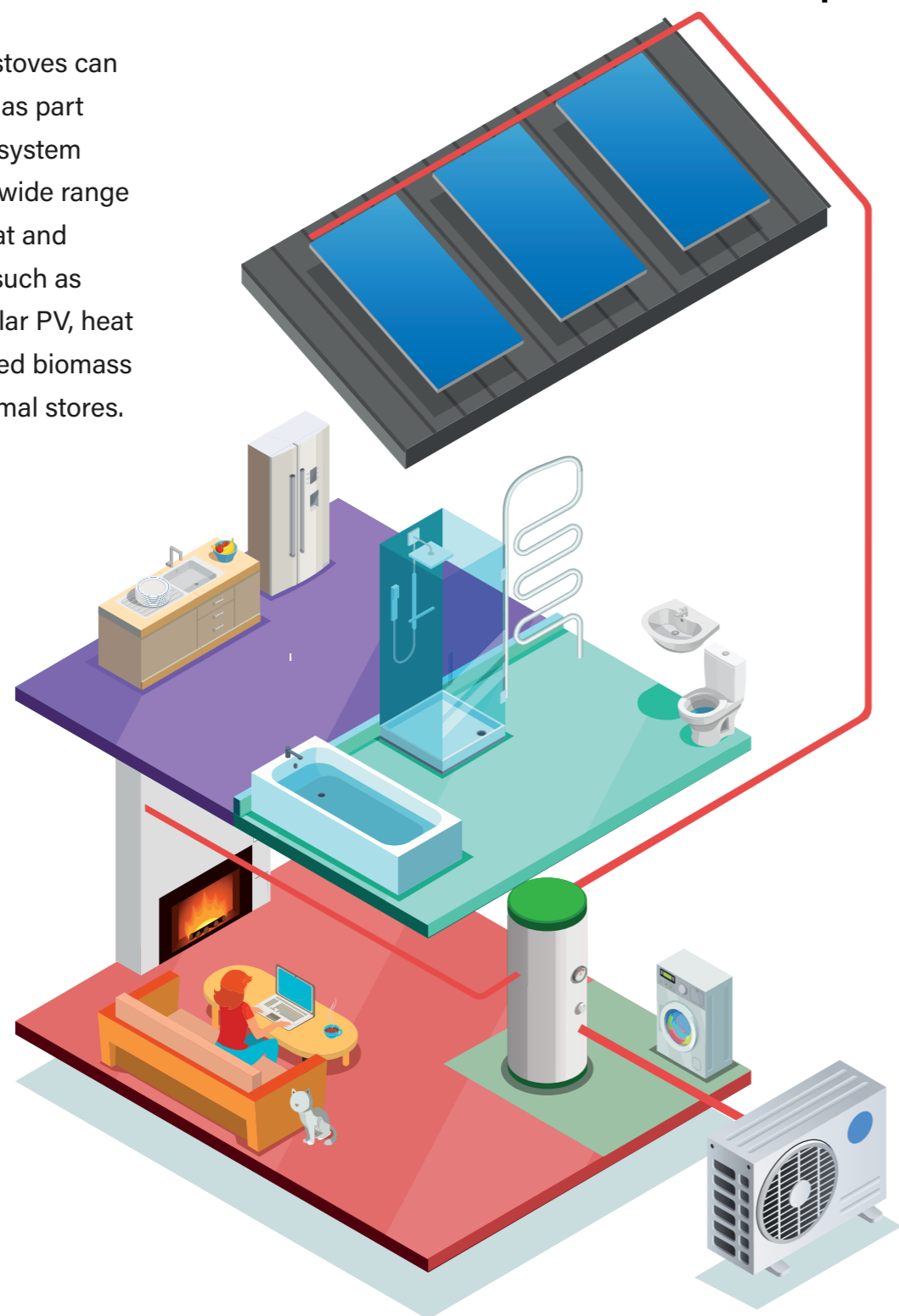
Linked heating

You can easily link a Woodfire boiler stove to your existing heating system. When the Woodfire is lit then it can either top up the heating, meaning that you use less gas or oil, or it can take over entirely.

One simply way to do this is using a small central connection point called a Systemzone, as shown in the drawing to the right.



Woodfire boiler stoves can also be installed as part of an integrated system making use of a wide range of renewable heat and energy sources such as solar thermal, solar PV, heat pumps, automated biomass boilers, and thermal stores.





A Woodfire boiler stove can be installed in an open vented or pressurised system and can power the heating and hot water needs of a whole house. They give around 80% of their heat to water and a mixture of radiant and convected warmth to the room. They can also be linked in with a conventional boiler and solar panels.

As with all high-output boiler stoves, Woodfires work at their very best when linked to a thermal store. This highly insulated tank will store the energy from the stove, letting you use it when needed. A typical cycle is to run the stove in the evening, warming the house and putting its excess heat into the store, then use that stored heat to give hot water and warm the house the next morning. The remaining heat will warm the house in the afternoon before you return from work and the stove is lit again.

Thermal storage

Load unit



A load unit incorporates a pump and a thermostatic valve. When the stove warms up the controller (or flue thermostat) turns on the pump which will pump the water from the stove, through the valve and back to the boiler again. Only once the water has heated up will the valve open and allow the hot water go to the thermal store or directly into the heating system.

This ensures that the stove heat exchangers are always up to temperature, so enabling the stove to work at its full efficiency, protecting the boiler and heat exchangers from condensation, and it means that the water entering a hot water cylinder or thermal store enters at an immediately-useable temperature.

System Controller

≈ AirSmart



The system controller will automatically keep your stove burning efficiently, and helps protect it from overheating in the case of over-firing or a powercut. A door sensor on the stove allows you to utilise the integrated 'AirSmart' system, ideal for the modern air-sealed house: whenever the door of the stove is opened a sealed air inlet to the room also opens, providing the air needed, and stopping the need for having a permanently open vent.



Installation chamber

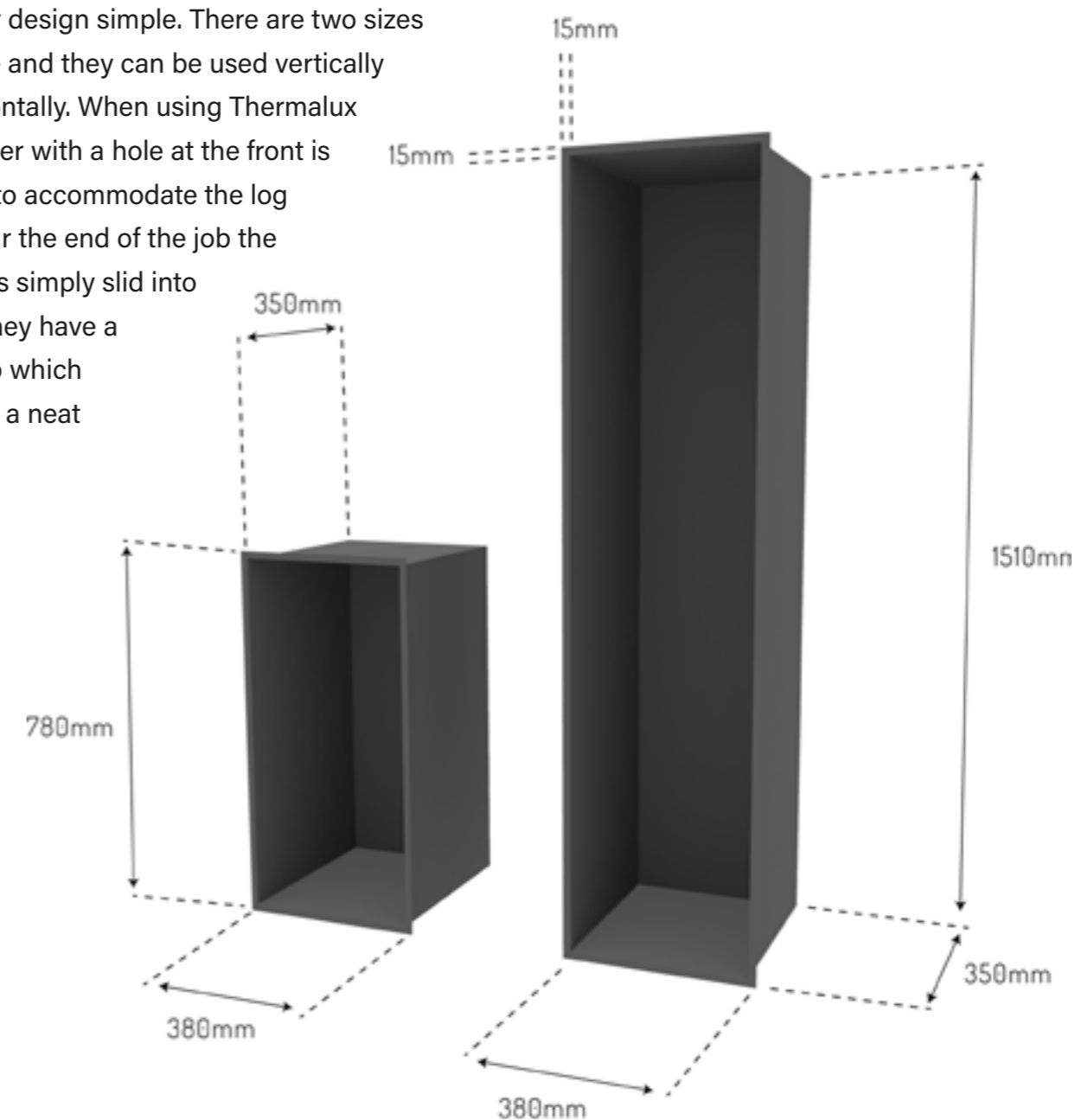
Woodfire inset models are installed into a chamber with an air gap around the stove. You can use an existing fireplace opening or create an entirely new chamber with Thermalux boards. Thermalux is fireproof, highly insulating and structural, making it quick and easy to construct the installation chamber for an inset stove.

Vents are positioned below the stove, or on the sides of the chimney breast at the bottom, and also near the top of the chamber. Natural convection then draws cool air from base, heats it as it passes the stove, and then spreads that warmth out to the room.

Log boxes

Woodfire stoves do not just look great, they also harness the power of wood allowing you to heat your whole home. Keeping a supply of logs close to your Woodfire is an excellent idea and the stacked logs provide a beautiful natural texture which can be used to great effect.

Our log boxes make incorporating log storage into your design simple. There are two sizes available and they can be used vertically or horizontally. When using Thermalux a chamber with a hole at the front is created to accommodate the log box. Near the end of the job the log box is simply slid into place. They have a 15mm lip which provides a neat finish.



Chimney



The correct chimney is a vital part of any stove installation. Woodfire stoves work at high efficiency levels, which means that little heat is lost up the chimney. For this reason the chimney needs to be well insulated to keep the flue gases flowing well and to reduce condensation of tar and water in the chimney. A new chimney should be made from pumice or prefabricated insulated stainless steel chimney sections. Pumice forms a highly insulating masonry chimney. Non-structural timbers and combustible materials can be run right up to a pumice chimney (which also makes it simple to achieve an airtight junction with the building). A pumice chimney can withstand higher temperatures and so is more resilient. Twin-wall stainless chimney is well suited to existing houses, as it is easy to retrofit but can also be used for new-build projects. Existing masonry chimneys should be lined with a flexible liner that is then insulated to keep the flue gases warm.

Draught stabiliser

Woodfire stoves are designed to work at their peak efficiency with a flue draught of around 15 pascals. Flue draughts vary enormously, depending on the chimney height, type of flue and the weather conditions. In the event of high winds a chimney draught can increase dramatically, which can severely reduce the stove's efficiency as well as run the risk of over-heating it. A draft stabiliser ensures a constant chimney draught, so making sure that your stove always works at its peak efficiency as well as protecting it against over-firing.

Warranty

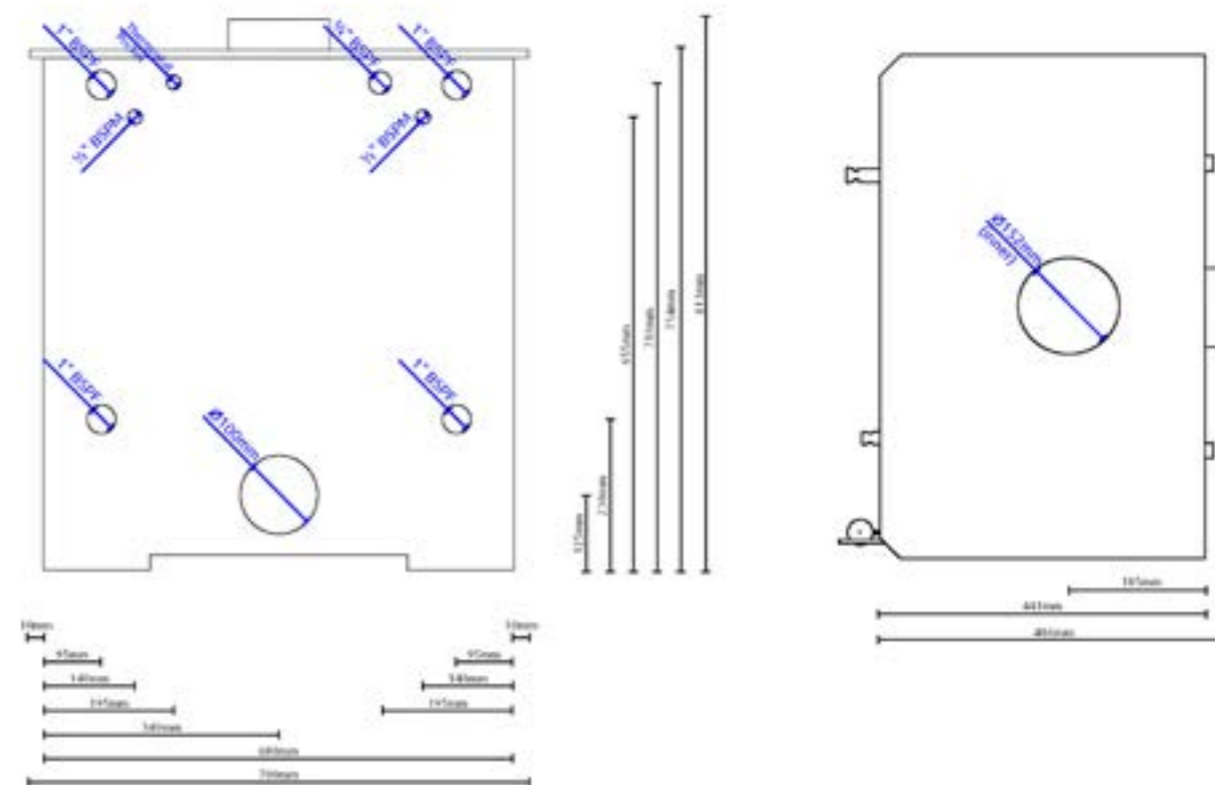
The Woodfire EX range come with the statutory one year warranty against any manufacturing defects. This warranty is automatically extended to five years provided that the stove has been installed by a suitably qualified installer and is fitted with a draught stabiliser and load unit.

Tech.

Spec.

Passiv specifications

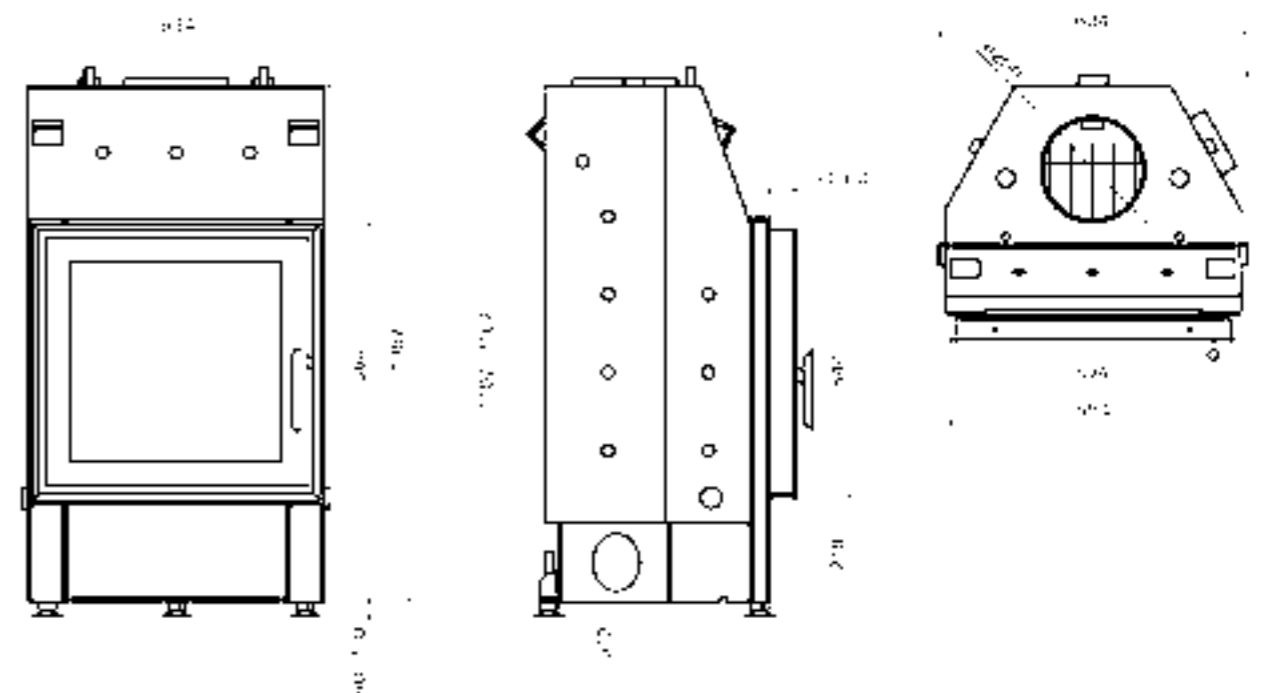
Output	4-10 kW
Output to water	7 kW
Output to the room	3 kW
Efficiency	85.8 %
Weight	195 kg
Operating pressure	2.5 bar
Minimum chimney draft	12 Pa
Combustion chamber lining	Vermiculite
Fuel	Wood & wood briquettes
Test Standard	EN
PM	39 mg/nM ³
Rating	A+
External air supply diameter	100 mm
Flue diameter	150 mm
Size, H, W, D	813, 700, 486 mm
Max log length	350 mm



EX specifications



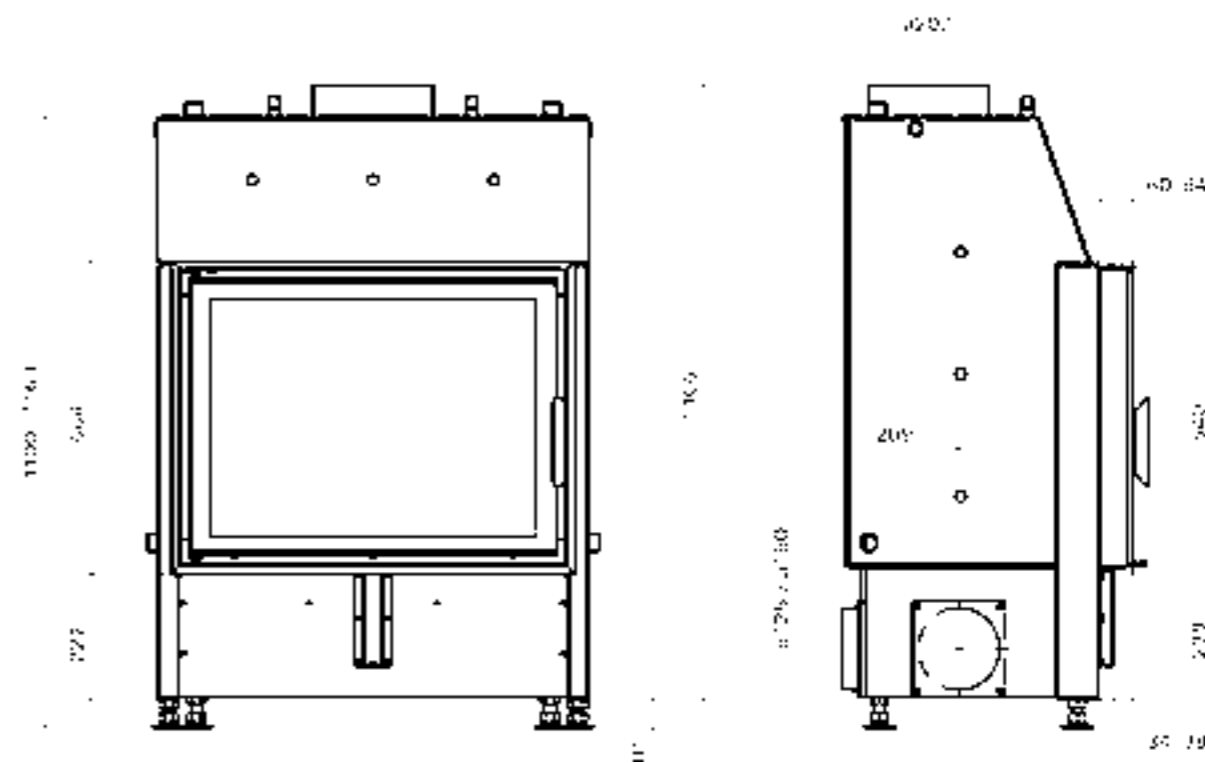
	EX10	EX15	EX22
Output	9.89 kW	14.92 kW	21.81 kW
Output to water	8.51 kW	12.51 kW	18.53 kW
Output to the room	1.38 kW	2.41 kW	3.28 kW
Efficiency	84.23 %	82.73 %	81.57 %
Weight	177 kg	179 kg	181 kg
Operating pressure	2.5 bar	2.5 bar	2.5 bar
Minimum chimney draft	12 Pa	12 Pa	12 Pa
Combustion chamber lining	Schamotte	Schamotte	Schamotte
Fuel	Wood & wood briquettes	Wood & wood briquettes	Wood & wood briquettes
Test Standard	DIN EN 13229	DIN EN 13229	DIN EN 13229
PM	14.33 mg/nM ³	15.33 mg/nM ³	18.67 mg/nM ³
Rating	A+	A+	A+
External air supply diameter	125 mm	125 mm	125 mm
Flue diameter	200 mm	200 mm	200 mm
Door size, W x H	574 x 544 mm	574 x 544 mm	574 x 544 mm
Frame size, W x H	594 x 564 mm	594 x 564 mm	594 x 564 mm
Max log length	400 mm	400 mm	400 mm



EX Panorama specifications



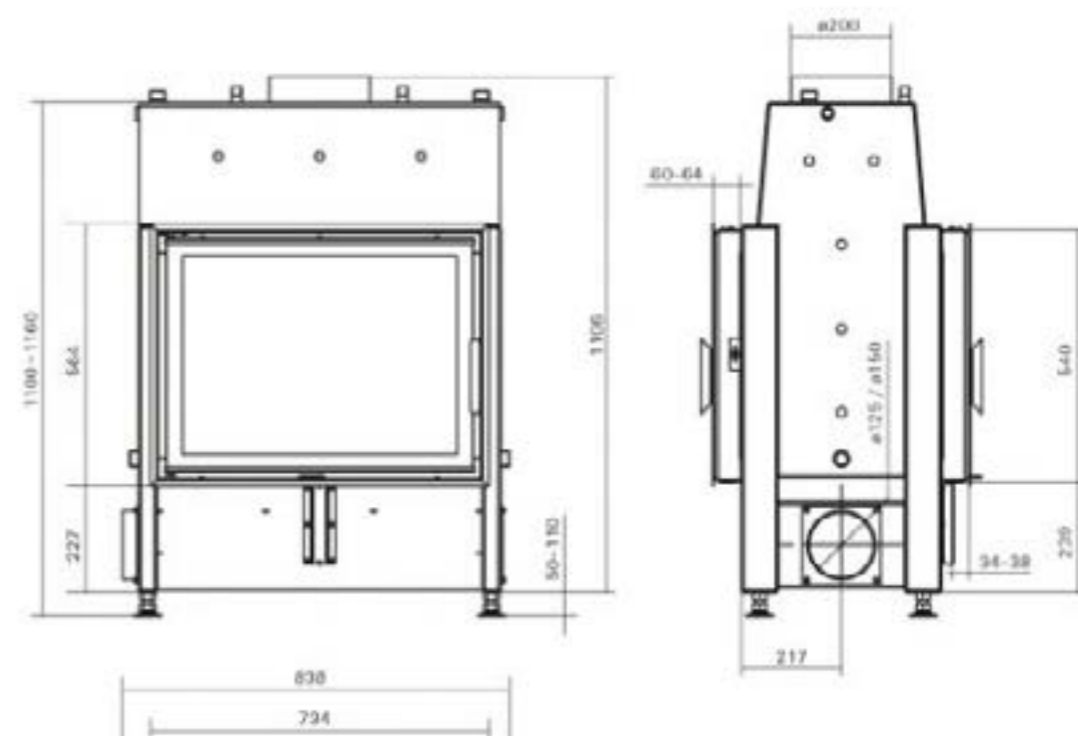
	EX12 Panorama	EX17 Panorama
Output	11.87 kW	16.82 kW
Output to water	7.46 kW	9.95 kW
Output to the room	4.41 kW	6.87 kW
Efficiency	80.57 %	82.94 %
Weight	280 kg	280 kg
Operating pressure	2.5 bar	2.5 bar
Minimum chimney draft	12 Pa	12 Pa
Combustion chamber lining	Schamotte	Schamotte
Fuel	Wood & wood briquettes	Wood & wood briquettes
Test Standard	DIN EN 13229	DIN EN 13229
PM	38 mg/nM ³	38 mg/nM ³
Rating	A+	A+
External air supply diameter	125 mm	150 mm
Flue diameter	200 mm	200 mm
Door size, W x H	540 x 710 mm	540 x 710 mm
Frame size, W x H	734 x 564 mm	734 x 564 mm
Max log length	600 mm	600 mm



EX Panorama DS specifications



	EX12 Panorama DS	EX17 Panorama DS
Output	12.46 kW	17.57 kW
Output to water	6.45 kW	8.65 kW
Output to the room	6.01 kW	8.92 kW
Efficiency	84.57 %	81.71 %
Weight	253 kg	253 kg
Operating pressure	2.5 bar	2.5 bar
Minimum chimney draft	12 Pa	12 Pa
Combustion chamber lining	Schamotte	Schamotte
Fuel	Wood & wood briquettes	Wood & wood briquettes
Test Standard	DIN EN 13229	DIN EN 13229
PM	38 mg/nM ³	38 mg/nM ³
Rating	A+	A+
External air supply diameter	125 mm	150 mm
Flue diameter	200 mm	200 mm
Door size, W x H	540 x 710 mm	540 x 710 mm
Frame size, W x H	734 x 564 mm	734 x 564 mm
Max log length	600 mm	600 mm



woodfire



www.woodfirestoves.co.uk