



Avance 400 with
standard bolt on
Log Store



Avance 400 with
short bolt on
Log Store



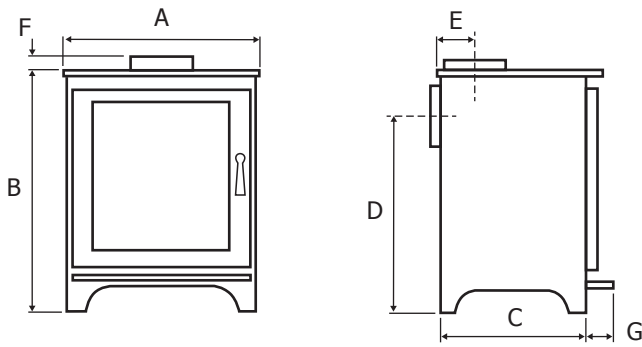
Avance 500 with
standard bolt on
Log Store



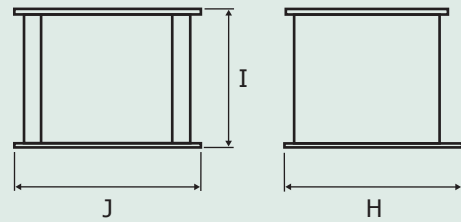
Avance 500 with
short bolt on
Log Store

The **Avance 400 and 500** can both be supplied with a bolt on log store, which is available as an extra item. The stores are large enough to hold a good supply of logs for a long period of burning. They can be fitted to either the short leg or tall leg stove on the Avance 500. Levelling bolts are fitted to the log store at each corner to assist on uneven floors.

Dimensions and flue sizes



Avance 500 and 400 bolt on log store



All measurements are in millimetres

All of our stoves have a 125mm diameter flue outlet apart from Highlander 8 which is 152mm diameter outlet

Model	A	B	C	D	E	F	G	H	I	J
Avance 500 Short leg	605	560	275	430	115	25	60	-	-	-
Avance 500 High leg	605	630	275	500	115	25	60	-	-	-
Avance 500 Log store std	-	-	-	-	-	-	-	355	325	605
Avance 500 Log store short	-	-	-	-	-	-	-	355	210	605
Avance 400	435	590	310	470	115	25	60	-	-	-
Avance 400 Log store std	-	-	-	-	-	-	-	390	325	435
Avance 400 Log store short	-	-	-	-	-	-	-	390	210	435
Highlander 3 SG	340	560	315	445	105	40	70	-	-	-
Highlander 5 short leg (SL)	425	560	315	445	105	40	70	-	-	-
Highlander 5 High leg (HL)	425	630	315	515	105	40	70	-	-	-
Highlander 8	605	630	315	515	118	45	70	-	-	-



Scan me to go to the website

www.dunsleyheat.co.uk

email: sales@dunsleyheat.co.uk

tel: 01484 682635